

DATA SHEET

Navigator **Ultra** 360

Navigation/Position/Strobe LED Lights

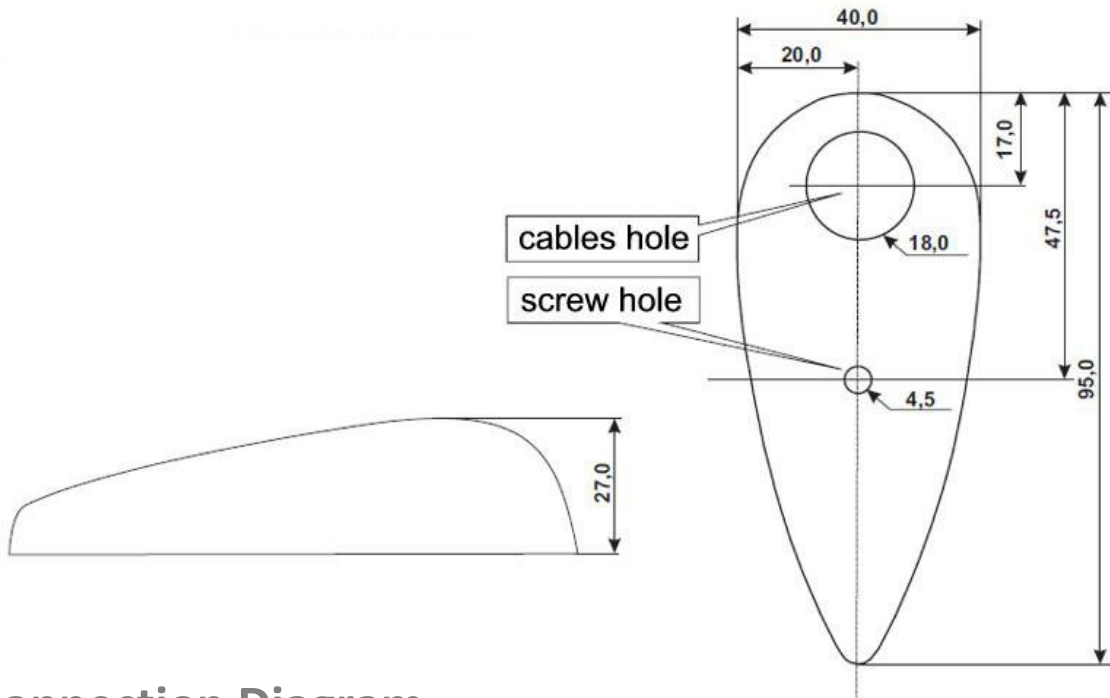
General information

Navigator **Ultra 360** wingtip lights are **navigation lights** (red & green) with integrated **rear position light**, equipped with synchronized **strobe** (white) **light**. Monolith encapsulation ensures that the lamp is **water and vibration resistant**. The lights have **strobe light controller integrated** in the lamp capsule. The installation and connection process is very easy and there is no need for additional external strobe controllers. You simply connect all the wiring directly to the lamp.

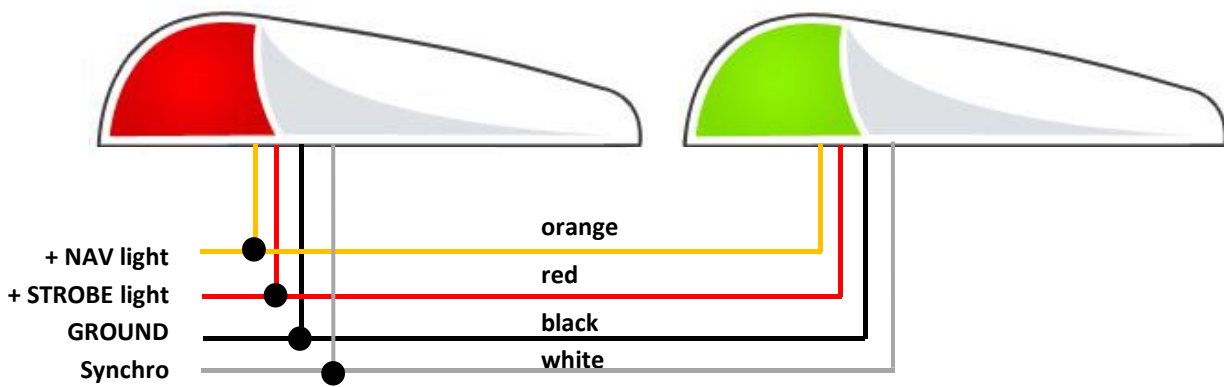
Technical Data

Navigation light	YES (red/green)
Rear position light	YES (white)
Strobe light	YES (white)
Operation voltage range	12 V - 15 V
Dimensions	95 mm x 40 mm x 27 mm
Weight (2 lamps)	170 g
Operation temperature range	- 35°C to + 60°C
Current - navigation light (2 lamps)	0,5 A
Current - strobe light (2 lamps)	3,2 A in peak
Input power - navigation light (2 lamps)	4,5 W
Input power - strobe light (2 lamps)	45 W in peak
Navigation light angle	110°
Rear position light angle	140°
Nav/Pos light luminosity (per lamp)	450 lm
Strobe light luminosity (per lamp)	2000 lm
Strobe light frequency	120 flashes/min
Wiring requirement	0,5 mm ² cable
Encapsulation	Monolith of UV resistant epoxy resin
Strobe control unit	Lamp built in
Strobe synchronization	YES
Reverse polarity protection	YES
Vibration resistance	YES
Water resistance	YES
Warranty	2 years

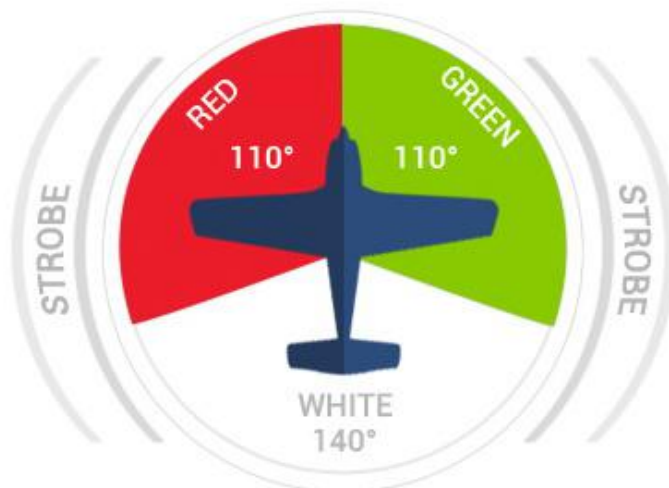
Drawing



Connection Diagram



Light Distribution



Wiring Diagram

