



www.AvioLights.com



DATA SHEET

Sky Nav 360

Navigation/Position/Strobe LED Lights

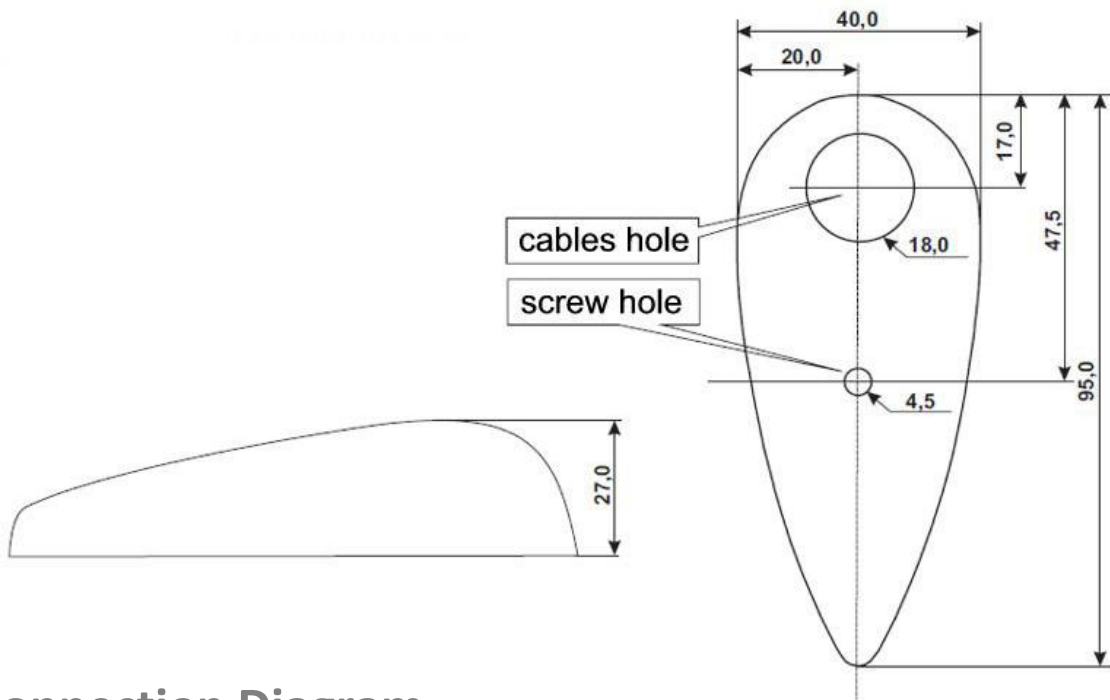
General information

Sky Nav 360 wingtip lights are **LED navigation lights** with integrated **rear position light**, equipped with **strobe light**. The lights have synchronized strobe light controller integrated in the lamp capsule. The installation and connection process is very easy and there is **no need for additional external strobe controllers**. You simply connect all the wiring directly to the lamp. What is more, the lights can be powered with 22V-28V voltage range.

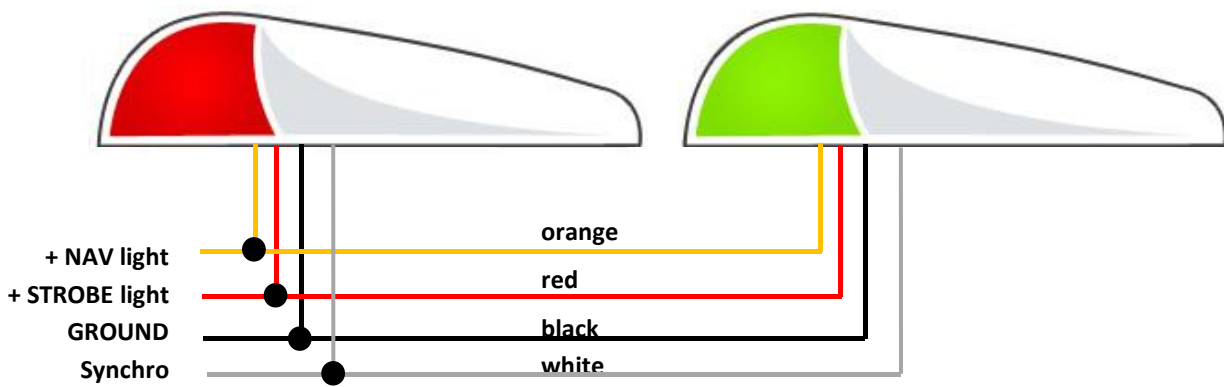
Technical Data

Navigation light	YES (red/green)
Rear position light	YES (white)
Strobe light	YES (white)
Operation voltage range	22V – 28V
Dimensions	95 mm x 40 mm x 27 mm
Weight (2 lamps)	175 g
Operation temperature range	- 35°C to + 60°C
Current - navigation light (2 lamps)	0,2 A
Current - strobe light (2 lamps)	2,2 A in peak
Input power - navigation light (2 lamps)	4,7 W
Input power - strobe light (2 lamps)	57 W in peak
Navigation light angle	110°
Rear position light angle	140°
Nav/Pos light luminosity (per lamp)	450 lm
Strobe light luminosity (per lamp)	3000 lm
Strobe light frequency	120 flashes/min
Wiring requirement	0,5 mm ² cable
Encapsulation	Monolith of UV resistant epoxy resin
Strobe control unit	Lamp built in
Reverse polarity protection	YES
Vibration resistance	YES
Water resistance	YES
Strobe synchronization	YES
Warranty	2 years

Drawing



Connection Diagram



Light Distribution

